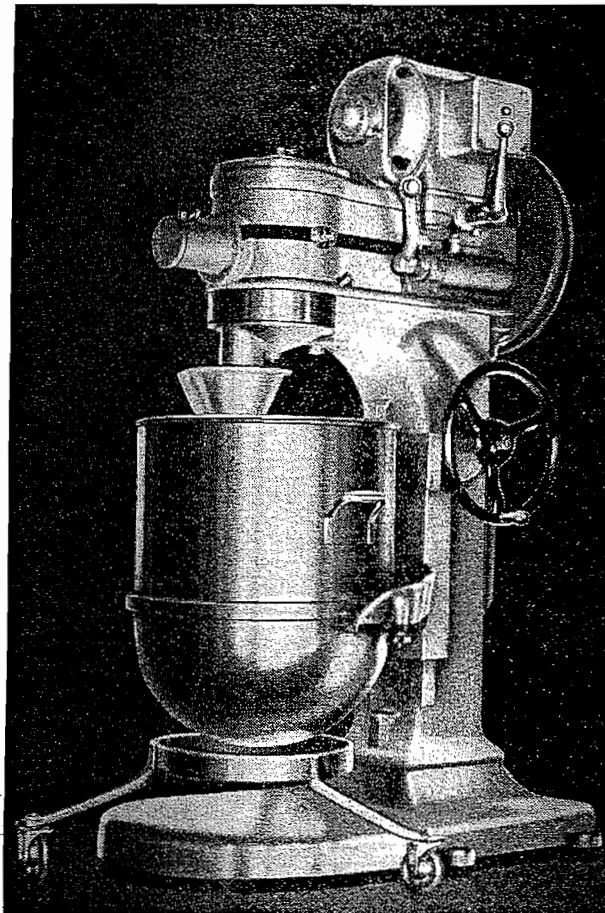


# INSTRUCTION MANUAL

*with Catalog of Replacement Parts*



## MODEL M-80 MIXER

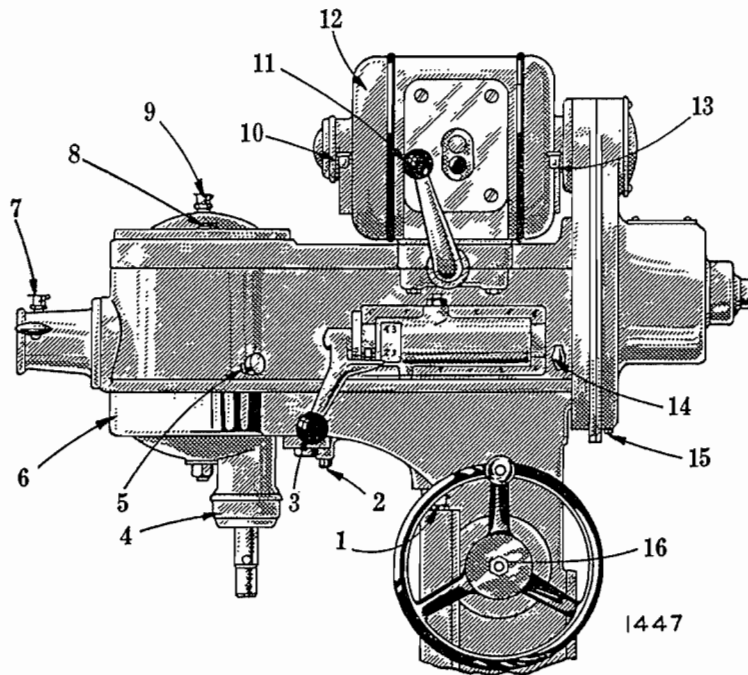
*Specification 4210*



## THE HOBART MANUFACTURING COMPANY

*The World's Oldest and Largest Manufacturer of Computing Scales and  
Food Store, Kitchen, Bakery and Dishwashing Machines*

TROY, OHIO, U. S. A.



## INSTRUCTIONS for MODEL M-80 MIXER

### INSTALLATION

Place the Mixer in a location that will save you as many steps as possible. If convenient, allow ample working room all around the machine, but in any case leave space on the right or control side.

It will not be necessary to bolt the machine to the floor in most installations, but bolt holes are provided for anchoring down on shipboard. If the back of the machine is near a wall, allow at least 8" clearance to permit removal of the clutch case.

### WIRING

A competent electrician should be employed to make the wiring connections, and all rules of local power companies should be observed, as well as the Underwriters' Code.

Multiphase motors must be so connected that the beater runs in the proper direction. Looking down into the bowl, the beater should run around the bowl slowly in a clockwise direction while it turns rapidly on its own axis in the opposite direction.

### LUBRICATION

When the machine is crated for shipment, the oil reservoirs are drained, and they must be refilled before operating. Use only high-grade oils like the samples furnished. If unable to secure suitable lubricants locally, order your supplies from us.

A—To fill the transmission case, remove the plug 8 and pour in oil from the container labelled "For Gear Case Only", until the oil appears at the top of the overflow 14. A small funnel is provided to expedite this operation. Keep the oil level near the top of the overflow by adding more oil when needed. The case holds about six pints. All the oil in the transmission case can be drained out by removing the plug 2. Drain the reduction gear case by taking out plug 15.

B—The motor has two ball bearings that receive lubrication from the oil cups 10-13. Keep the oil level in these cups near the point of overflow.

C—An oiler at 9 lubricates the upper and lower ball bearings in the bevel-gear case and the beater-shaft. Give it a few drops of oil at least once a week, but do not over-oil.

---

## HOBART REPLACEMENT PARTS

---

D—The Oiler 7 is for attachments and it should be used only when an attachment is in place.

E—An oil cup 16 at each end of the handwheel shaft should have a drop or two of oil, once a week.

F—The bowl support slideways are lubricated by two oilers 1, the oil being distributed over the slides by felt wipers.

G—A compression grease cup 5 supplies lubrication to the teeth of the internal gear. Give it half a turn once a week. When the cup is empty refill with graphite grease.

The frequency of oiling depends upon how much work the machine has to do. Never use an excess of oil. If some is spilled on the machine accidentally, wipe it off at once so that it does not gather dust or find its way into the batch being mixed.

### DRIP CUPS

Drip cups 4 and 6 guard against the possibility of oil working down from the planetary into the bowl. Take off the cup 6 occasionally and if oil has accumulated, wipe it out. Pull the cup straight down to remove it.

The drip cup 4 is not removable, but it can be drained by taking out a plug on the side. The drain plug is the larger of the two screws and it is plated.

### BOWLS

The regular bowl for this mixer has a capacity of 80 quarts. By using an adapter and another set of beaters, a 40 quart or a 30 quart bowl can be used. A 100-quart bowl may also be obtained, but uses standard 80-quart beaters and whips.

### BOWL LIFT

To lower the bowl, turn the large handwheel to the left; to raise it, turn to the right. A set screw on the top of the bowl support acts as a stop and adjusts the height of the bowl in relation to the beater.

For operations like mashing potatoes or creaming butter, beating may be started with the bowl in its lowest position, then as the materials break up, the bowl can be gradually raised into working position. When putting on a loaded bowl, lower the bowl support as far as it will go. See

that the locating pins enter the bowl lugs and that the guide on the back of the bowl straddles the stop. Do not forget to tighten the bowl clamps over the band.

### BEATERS

When putting on a beater, the bowl must be in the down position. Slip the beater up on the shaft and turn it around until the drive pin on the shaft reaches the end of the L-shaped slot in the beater. Beaters and whips of many styles are available, each suited to some particular job. Have your local dealer show them to you.

### SPEEDS

Change of speed is accomplished by shifting gears, much the same as in an automobile. The motor should be running when gears are shifted but the clutch should be out. It is not necessary, however, to pass through intermediate speeds, you can change directly from one speed to any other.

First throw out the clutch by moving handle 11 to the left (as shown in the illustration.)

Then raise the speed lever 3 to the middle or horizontal position and the gears will be in neutral. While in this position, push the lever horizontally to the right and then pull down to get No. 1 or slow speed. Push up to get No. 3 speed. Move the lever horizontally to the left and pull down for No. 2 or up for No. 4 speed. The beater will start when the clutch is thrown in.

### ATTACHMENTS

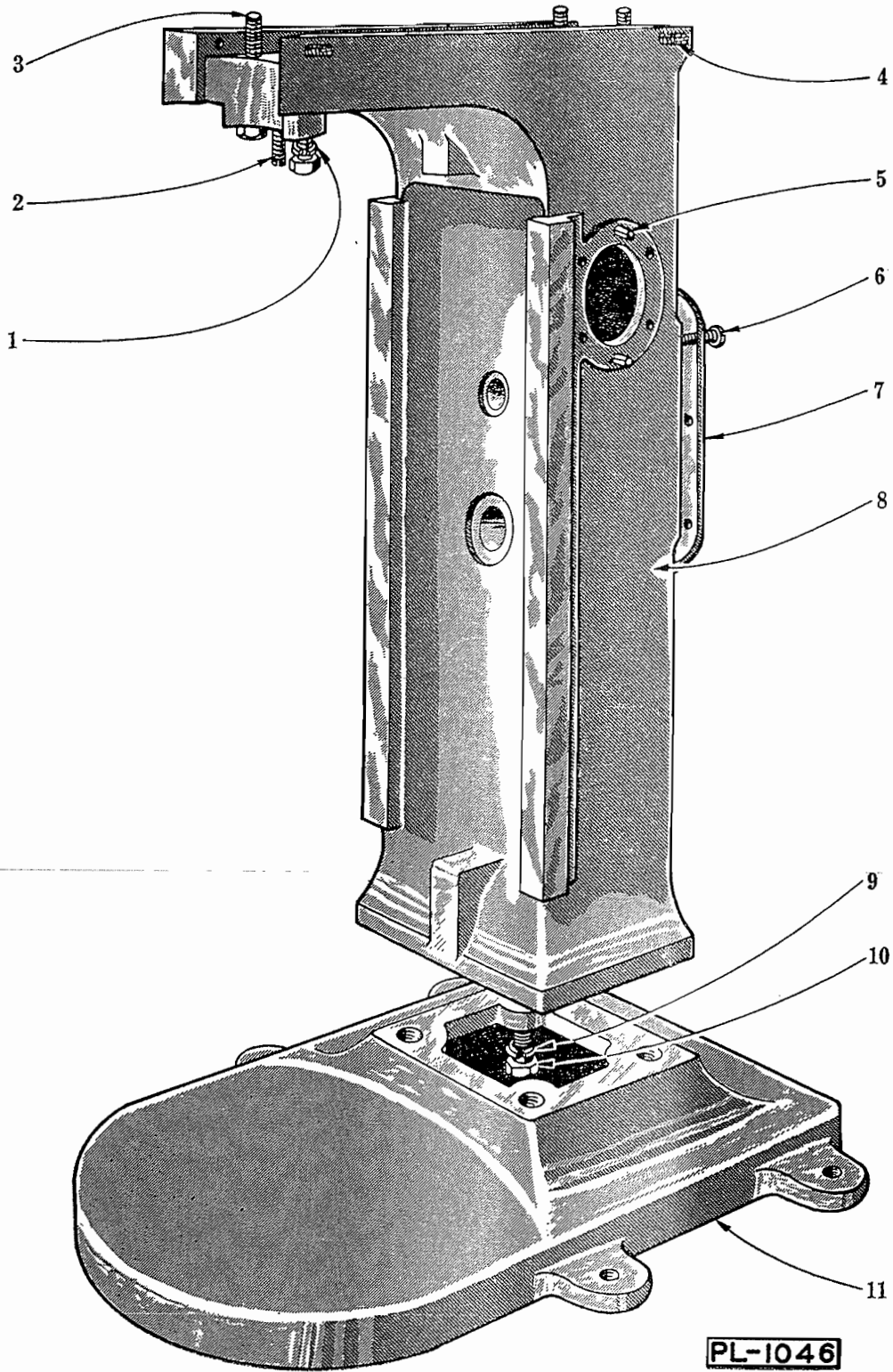
Any Hobart attachment of the No. 22 size can be used with this machine, and special bowl equipment such as the soup strainer and colander may be obtained.

The attachment drive operates at four different speeds, selection of which is made by the gear shift lever 3.

### CARE OF MOTOR

Motors for some electrical specifications have removable cover plates 12. If your machine has such a motor, have a service man take these covers off every six months to inspect and clean the commutator, and when necessary, replace the carbon brushes.

HOBART REPLACEMENT PARTS

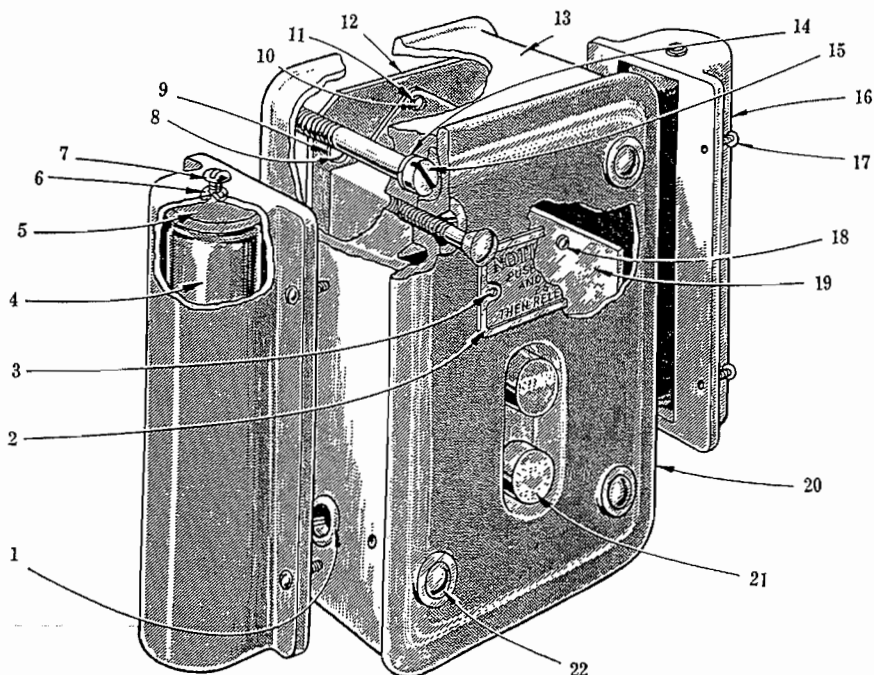


BASE & PEDESTAL UNIT

## HOBART REPLACEMENT PARTS

### BASE & PEDESTAL UNIT

ILLUS. PL-1046	PART NO.	NAME OF PART	AMT.
1	WL-4-25	Lock Washer - 3/4" x .233" x .153" -----	4
2	SC-46-92	Set Screw - 5/8"-11 x 1-1/4" Cup Pt. -----	1
3	SC-37-51	Fin. Bolt - 3/4"-10 x 3-1/2" Hex. Hd. -----	4
4	SC-46-82	Set Screw - 1/2"-13 x 1" Cup Pt. -----	4
5	P-11800-118	Dowel -----	4
6	SC-38-23	Cap Screw - 3/8"-16 x 3/4" Fil. Hd. -----	8
7	P-8044	Cover - Pedestal -----	1
8	S-8059	Pedestal -----	1
9	WL-4-35	Lock Washer - 1" x .289" x .202 -----	4
10	SC-37-60	Fin. Bolt - 1"-8 x 3-1/2" Hex. Hd. -----	4
11	S-7272	Sub Base -----	1

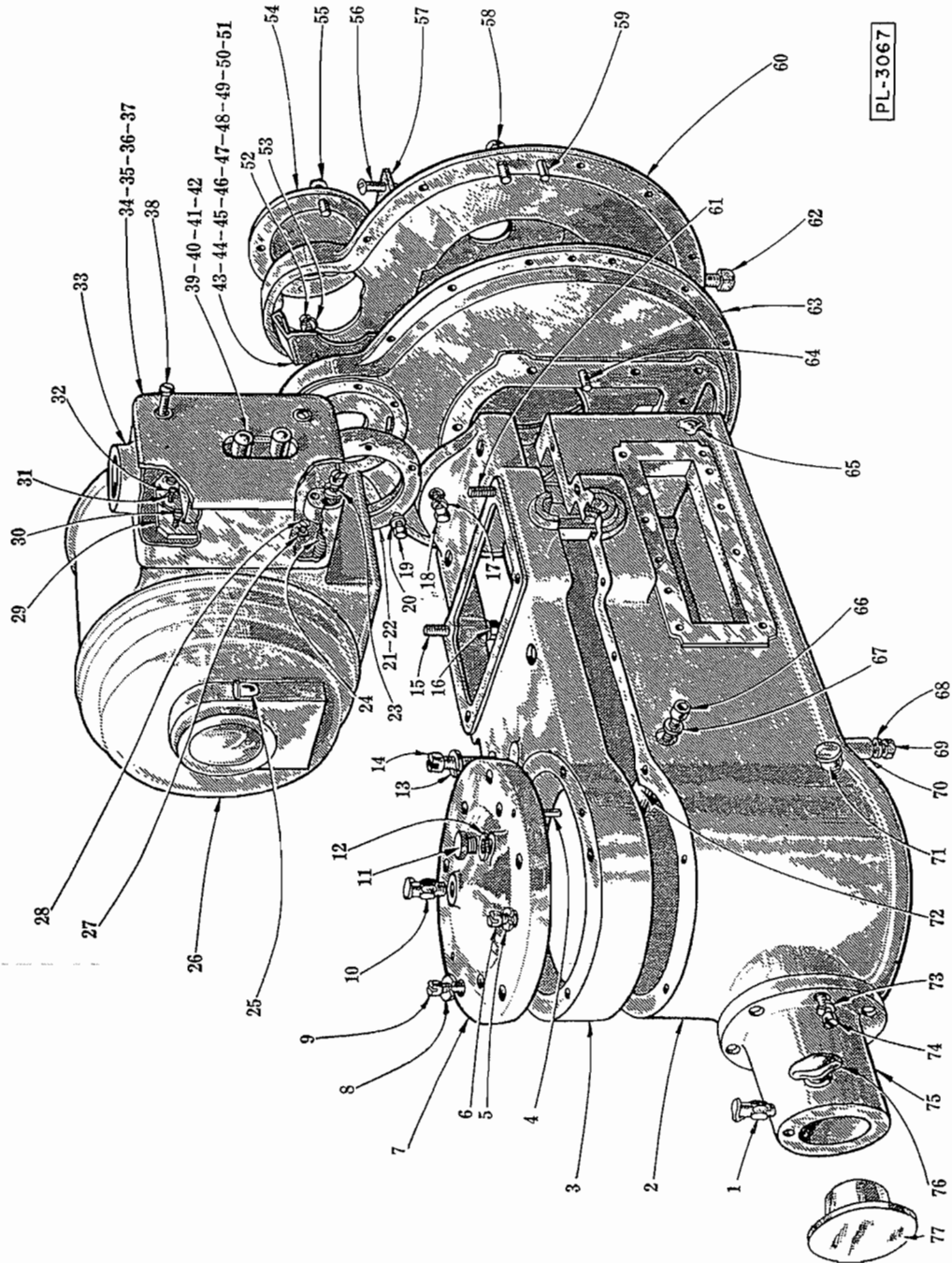


PL-979

### D.C. STARTER EQUIPMENT

ILLUS. PL-979	PART NO.	NAME OF PART	AMT.
1	V-15333	Insulator -----	4
2	V-14882	Plate - Starting Instruction -----	1
3	SC-32-9	Mach. Screw - #6-32 x 3/16" Bind. Hd. -----	2
4	P-20175	Coil - Resistance (Give Elec. Spec.) -----	2
5	WS-3-9	Washer - Felt -----	4
6	WL-3-43	Lock Washer - 5/16" x .117" x .056" -----	4
7	SC-8-88	Mach. Screw - 5/16"-18 x 3/4" Rd. Hd. -----	4
8	SC-8-19	Mach. Screw - #10-32 x 1/2" Rd. Hd. -----	4
9	WL-3-22	Lock Washer - #10 x .055" x .040" -----	4
10	SC-8-16	Mach. Screw - #10-32 x 3/8" Rd. Hd. -----	1
11	WL-3-22	Lock Washer - #10 x .055" x .040" -----	1
12	P-19074	Plate - Switch Support -----	1
13	P-14914	Box - Switch -----	1
14	WL-4-1	Lock Washer - 3/8" x .078" x .125" -----	4
15	SC-38-31	Cap Screw - 3/8"-16 x 3-1/4" Fil. Hd. -----	4
16	P-14670	Box - Resistance Coil -----	2
17	SC-7-74	Mach. Screw - #10-24 x 3/8" Rd. Hd. -----	8
18	SC-7-37	Mach. Screw - #8-32 x 1/4" Rd. Hd. -----	1
19	M-20429	Insulator - D.C. Switch Box -----	1
20	R-13370-2	Cover - Switch Box -----	1
21	P-65979	Switch - Allen Bradley #609, #X-57622 Less Enclosure (Give Elec. Spec.) -----	1
22	SC-15-71	Mach. Screw - 1/4"-20 x 1" Oval Hd. -----	4

HOBART REPLACEMENT PARTS



TRANSMISSION CASE UNIT

ILLUS. NO.	PART NO.	NAME OF PART	AMT.
1	OG-3-21	Oiler - 1/8" Pipe Thd. -----	1
2	M-60462	Transmission Case & Dowels Sub-Assy. -----	1
3	R-7277	Cover - Transmission Case -----	1
4	P-11800-96	Dowel -----	2
5	WL-4-1	Lock Washer - 3/8" x .078" x .125" -----	5
6	SC-38-32	Cap Screw - 3/8"-16 x 1-1/4" Fil. Hd. -----	5
7	P-7394	Cap - Transmission Case Cover -----	1
8	WL-4-1	Lock Washer - 3/8" x .078" x .125" -----	5
9	SC-38-30	Cap Screw - 3/8"-16 x 2-3/4" Fil. Hd. -----	5
10	OG-3-21	Oiler - 1/8" Pipe Thd. -----	1
11	V-4698	Plug - Oil Fill -----	1

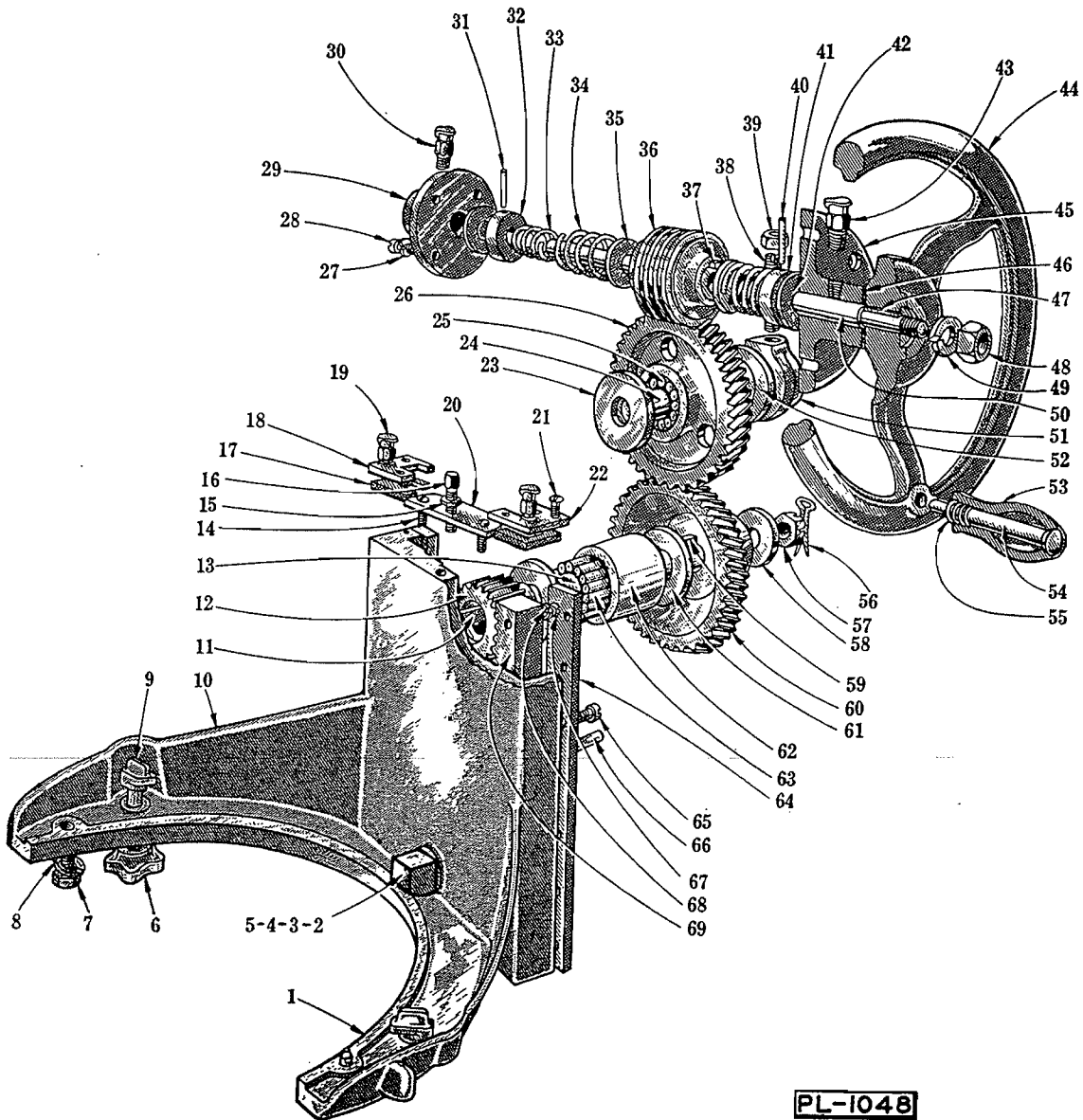
HOBART REPLACEMENT PARTS

TRANSMISSION CASE UNIT (Cont.)

ILLUS. PL-3067	PART NO.	NAME OF PART	AMT.
12	GR-2-2	Gasket - Copper Asbestos -----	1
13	WL-4-2	Lock Washer - 3/8" x .136" x .070" -----	4
14	SC-12-23	Mach. Screw - 3/8"-16 x 2" Fil. Hd. -----	4
15	SC-37-11	Fin. Bolt - 1/2"-13 x 4" Hex. Hd. -----	2
16	WL-4-12	Lock Washer - 1/2" x .170" x .099" -----	4
17	WL-4-2	Lock Washer - 3/8" x .136" x .070" -----	1
18	SC-36-57	Fin. Bolt - 3/8"-16 x 1-1/4" Hex. Hd. -----	1
19	SC-36-4	Fin. Bolt - 1/4"-20 x 3/4" Hex. Hd. -----	6
20	WS-3-5	Washer -----	6
21	P-8140	Cover - Gear Case Back (4" Inside Dia.) -----	1
22	P-14963	Cover - Gear Case Back (4-1/8" Inside Dia.) -----	1
23	WL-4-1	Lock Washer - 3/8" x .078" x .125" -----	4
24	SC-38-31	Cap Screw - 3/8"-16 x 3-1/4" Fil. Hd. -----	4
25	V-9502	Oiler - 1/8" Pipe Thd. -----	1
26	-----	Motor (Give Elec. Spec.) -----	1
27	WL-3-22	Lock Washer - #10 x .055" x .040" -----	2
28	SC-8-19	Mach. Screw - #10-32 x 1/2" Rd. Hd. -----	2
29	P-19074	Plate - Switch Support -----	1
30	SC-13-63	Mach. Screw - #10-32 x 1/2" Flat Hd. -----	2
31	WL-3-22	Lock Washer - #10 x .055" x .040" -----	1
32	SC-8-16	Mach. Screw - #10-32 x 3/8" Rd. Hd. -----	1
33	R-14309	Box - Switch -----	1
34	R-14308	Cover - Switch Box -----	1
35	R-15892	Cover - Switch Box (Magnetic Starter, 3 HP Motor) -----	1
36	V-15897	Spring - Reset Button (Magnetic Starter, 3 HP Motor) -----	1
37	SC-7-5	Mach. Screw - #4-40 x 1/4" Rd. Hd. (Magnetic Starter, 3 HP Motor) -----	2
38	SC-15-71	Mach. Screw - 1/4"-20 x 1" Oval Hd. -----	4
39	P-65965	Manual Starter (Less Elements) (1 Ph., 200-550 V. App.) -----	1
40	P-65967	Manual Starter (Less Elements) (3 Ph., 200-550 V. App.) -----	1
41	P-65969	Manual Starter (Less Elements) (3 Ph., 100-199 V. App.) -----	1
42	**	Starter Element Give Elec. Spec. & Mach. Model) -----	1
43	P-8085	Oil Return -----	1
*44	M-22264	"O" Ring (For Motor With 1" Dia. Shaft) -----	1
*45	M-22315	"O" Ring (For Motor With 7/8" Dia. Shaft) -----	1
*46	M-21760	Washer - Baffle (For Motor With 1" Dia. Shaft) -----	1
*47	M-22310	Washer - Baffle (For Motor With 7/8" Dia. Shaft) -----	1
*48	P-21761	Retainer - Baffle Washer -----	1
*49	P-21762	Oil Return -----	1
*50	SC-19-9	Mach. Screw - #8-32 x 3/8" Bind. Hd. -----	9
*51	WL-3-15	Lock Washer - #8 x .047" x .031" -----	9
52	SC-19-9	Mach. Screw - #8-32 x 3/8" Bind. Hd. -----	2
53	WL-3-15	Lock Washer - #8 x .047" x .031" -----	2
54	P-7322	Cover - Pinion Hole -----	1
55	SC-8-70	Mach. Screw - 1/4"-20 x 3/4" Rd. Hd. -----	4
56	SC-9-59	Mach. Screw - 1/4"-20 x 1/2" Rd. Hd. -----	6
57	M-7285	Cover - Inspection Hole -----	1
58	SC-8-87	Mach. Screw - 5/16"-18 x 5/8" Rd. Hd. -----	14
59	P-11800-90	Dowel -----	2
60	R-7330	Front - Gear Case -----	1
61	SC-37-9	Fin. Bolt - 1/2"-13 x 3-1/2" Hex. Hd. -----	2
62	FP-28-2	Plug - 1/8" Sq. Hd. Pipe -----	1
63	R-8186-1	Back - Gear Case -----	1
64	SC-38-23	Cap Screw - 3/8"-16 x 3/4" Fil. Hd. -----	10
65	V-4037	Overflow - Oil -----	1
66	SC-40-24	Cap Screw - 3/8"-16 x 1-1/2" Soc. Fil. Hd. -----	2
67	WS-6-10	Washer -----	2
68	GR-2-1	Gasket - Copper Asbestos -----	1
69	SC-37-26	Fin. Bolt - 1/2"-20 x 1" Hex. Hd. -----	1
70	M-7646	Pipe - Oil Drain -----	1
71	OG-3-17	Grease Cup -----	1
72	M-19255	Bar - Clamping -----	1
73	WL-4-1	Lock Washer - 3/8" x .078" x .125" -----	6
74	SC-38-23	Cap Screw - 3/8"-16 x 3/4" Fil. Hd. -----	6
74	R-10116	Hub - Attachment -----	1
76	M-4202-1	Thumb Screw -----	1
77	M-3144	Plug - Attachment Hub -----	1

\* New Style Oil Return (Not Shown) See Service Bulletin #136

\*\* Hobart Service man to Use Starter Element Part No. as listed on Starter Parts Sheet.



PL-1048

BOWL LIFT UNIT

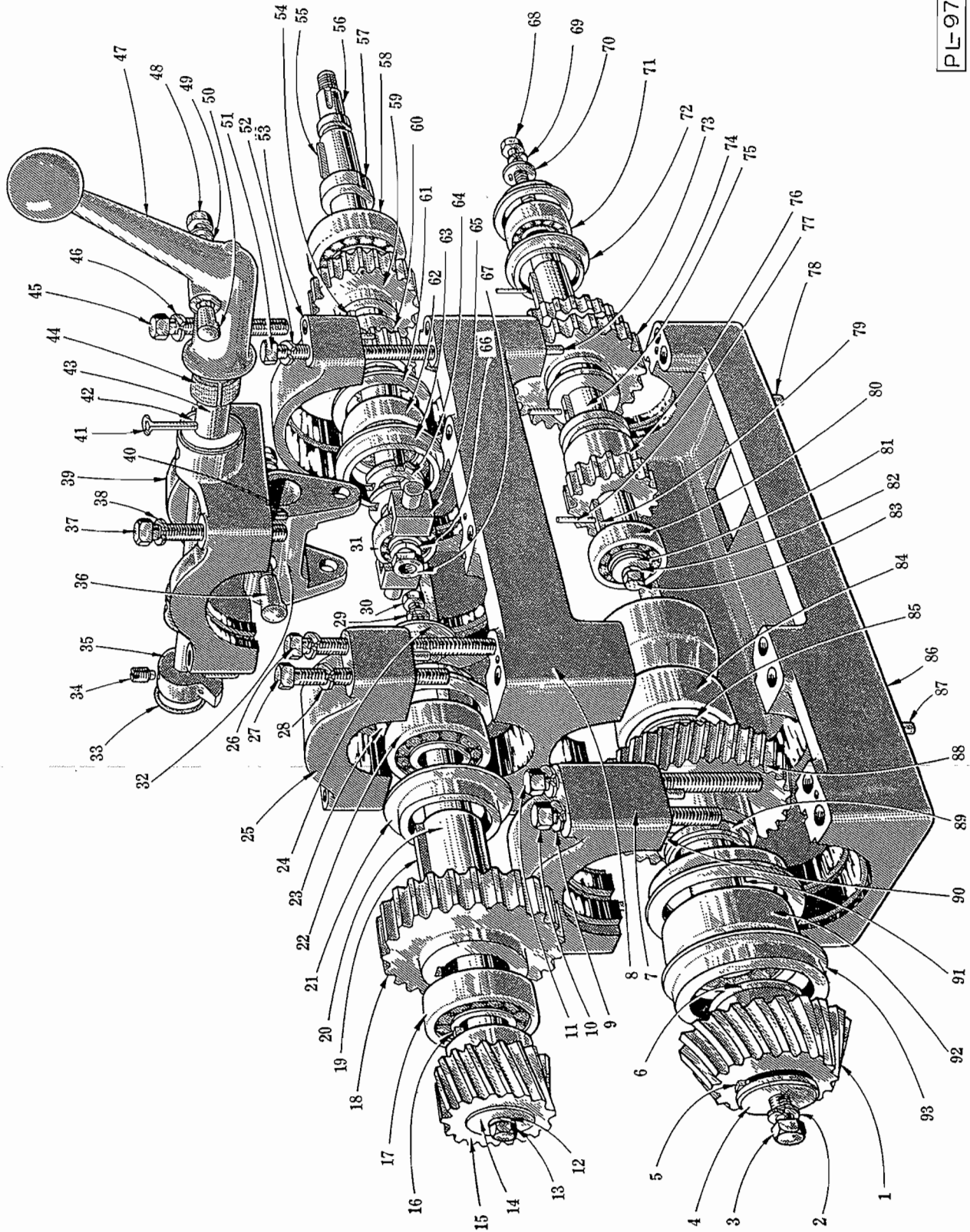


**HOBART REPLACEMENT PARTS**

**BOWL LIFT UNIT**

ILLUS. PL-1048	PART NO.	NAME OF PART	AMT.
1	M-24880	Bowl Support Sub-Assy. Unit (Incls. Items #2, 3, 4, 5, 7, 8 & 10) -----	1
2	V-8060	Retainer - Bowl -----	1
3	NS-17-14	Jam Nut - 3/8"-16 Hex. Fin. -----	1
4	WS-6-20	Washer -----	1
5	WL-4-2	Lock Washer - 3/8" x .136" x .070" -----	1
6	M-8101	Knob - Clamp Stud -----	2
7	V-7629	Stud - Bowl Locating -----	2
8	WL-4-18	Lock Washer - 5/8" x .201" x .126" -----	2
9	M-8100	Stud - Bowl Clamp -----	2
10	R-8046	Support - Bowl -----	1
11	KW-3-17	Key - #810 Woodruff -----	1
12	M-8043	Pinion - Rack -----	1
13	P-61281	Shaft - Lift -----	1
14	SC-8-68	Mach. Screw - 1/4"-20 x 1/2" Rd. Hd. -----	2
15	NS-17-25	Jam Nut - 1/2"-13 Hex -----	1
16	SC-48-32	Set Screw - 1/2"-13 x 1-1/2" Sq. Hd. Flat Pt. -----	1
17	V-8084	Felt - Wiper -----	2
18	M-8082	Retainer - Wiper (L.H.) -----	1
19	OG-3-21	Oiler -----	2
20	M-8041	Cover - Bowl Support -----	1
21	SC-7-45	Mach. Screw - #8-32 x 5/8" Rd. Hd. -----	4
22	M-8081	Retainer - Wiper (R.H.) -----	1
23	WS-13-23	Washer -----	1
24	M-8048	Stud - Bowl Lift -----	1
25	V-7395	Roller -----	15
26	P-8049	Worm Gear (48T) -----	1
27	WL-4-1	Lock Washer - 3/8" x .078" x .125" -----	8
28	SC-38-33	Cap Screw - 3/8"-16 x 1" Fil. Hd. -----	8
29	P-8051	Bearing - Lift (Back) -----	1
30	OG-3-21	Oiler -----	1
31	P-11800-122	Pin -----	1
32	M-8053	Collar -----	1
33	M-8002	Spring (Small) -----	2
34	M-9733	Spring (Large) -----	2
35	WS-11-25	Washer -----	2
36	P-23898	Worm -----	1
37	R-12430-168	Key -----	1
38	V-2795	Screw - Dog Point -----	1
39	NS-17-27	Jam Nut - 1/2"-13 Hex. Fin. -----	1
40	P-11800-122	Pin -----	1
41	M-8053	Collar -----	1
42	WS-11-25	Washer -----	2
43	OG-3-21	Oiler -----	1
44	P-8080	Hand Wheel - Lift -----	1
45	P-8050	Bearing - Lift (Front) -----	1
46	WS-11-15	Fiber Washer -----	As Req'd.
47	R-12430-66	Key -----	1
48	NS-13-41	Full Nut - 5/8"-11 Hex. Fin. -----	1
49	WL-4-18	Lock Washer - 5/8" x .201" x .126" -----	1
50	P-8052	Shaft - Hand Wheel -----	1
51	M-8040	Collar - Thrust -----	1
52	WS-13-23	Washer -----	1
53	V-4277	Handle -----	1
54	V-4543	Pin -----	1
55	V-8574	Spring -----	1
56	PC-3-37	Cotter Pin - 3/32" x 1-1/8" Lg. -----	1
57	NS-20-23	Castle Nut - 3/4"-16 -----	1
58	V-7419	Washer -----	1
59	KW-3-17	Key - #810 Woodruff -----	1
60	P-8055	Spiral Gear (48T) -----	1
61	WS-14-8	Washer -----	2
62	M-8079	Liner - Bearing -----	1
63	V-8058	Roller -----	17
64	M-8083	Gib - Bowl Support -----	2
65	SC-38-33	Cap Screw - 3/8"-16 x 1" Fil. Hd. -----	12
66	P-11800-142	Dowel -----	2
67	SC-38-32	Cap Screw - 3/8"-16 x 1-1/4" Fil. Hd. -----	5
68	WL-4-1	Lock Washer - 3/8" x .078" x .125" -----	5
69	M-24837	Lift Rack Sub-Assy. Unit (Incls. Item 66) -----	1

PL-972



TRANSMISSION UNIT

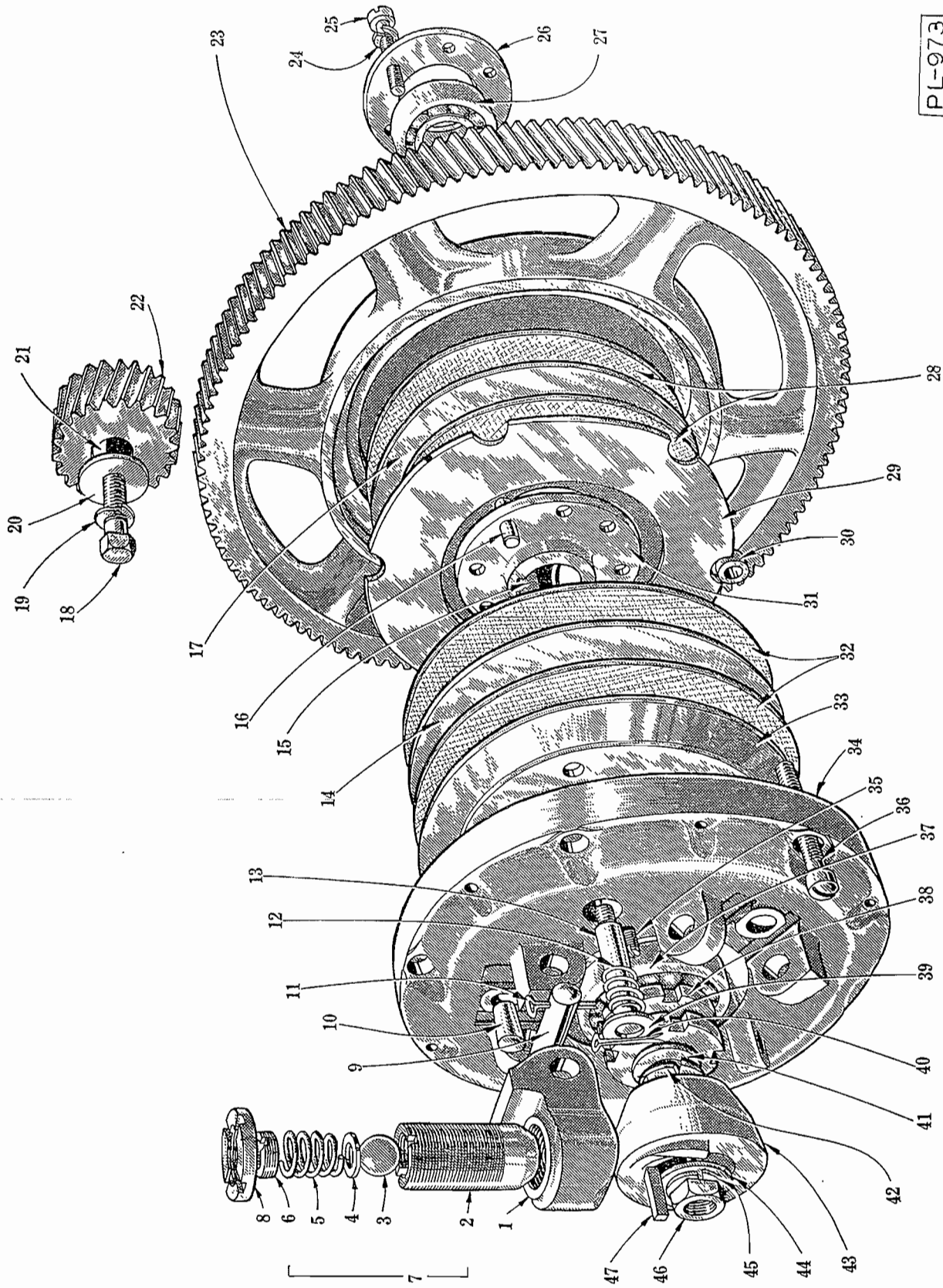
**HOBART REPLACEMENT PARTS**

**TRANSMISSION UNIT**

ILLUS. PART PL-972 NO.	NAME OF PART	AMT.	ILLUS. PART PL-972 NO.	NAME OF PART	AMT.		
1	P-18872	Pinion - Spiral Bevel (19T) -----	1	55	R-12430-145	Key -----	1
2	WL-4-2	Lock Washer - 3/8" x .136" x .070" --	1	56	M-7284	Rod - Clutch Pull -----	1
3	SC-36-57	Fin. Bolt - 3/8"-16 x 1-1/4" Hex. Hd. 1		57	P-7282	Shaft - Upper Rear Trans. -----	1
4	V-7301	Washer - Retaining -----	1	58	BB-10-4	Ball Bearing - N.D. #E-207 -----	1
5	R-12430-160	Key -----	2	59	M-7286	Gear - Upper Rear Trans. (22T)-----	1
6	M-18904	Washer - Shim -----	1	60	M-7287	Gear - Upper Rear Trans. (16T)-----	1
* 7	M-7311	Cap - Cradle (Lower Front) -----	1	61	M-7281	Retainer - Bearing -----	1
* 8	S-7461	Cradle (Upper) -----	1	62	BB-10-1	Ball Bearing - N.D. #E-206 -----	1
9	WL-4-12	Lock Washer - 1/2" x .170" x .099" --	4	63	M-7281	Retainer - Bearing -----	1
10	SC-37-7	Fin. Bolt - 1/2"-13 x 3" Hex. Hd. ----	2	64	V-7349	Nut - Clutch Shaft -----	2
11	SC-37-13	Fin. Bolt - 1/2"-13 x 5-1/2" Hex. Hd. 2		65	V-7352	Retainer - Clutch Bearing -----	2
12	WL-4-2	Lock Washer - 3/8" x .136" x .070" --	1	66	WL-4-12	Lock Washer - 1/2" x .170" x .099" --	1
13	SC-36-54	Fin. Bolt - 3/8"-16 x 1" Hex. Hd. --	1	67	NS-17-27	Jam Nut 1/2"-13 Hex. Fin. -----	1
14	V-7301	Washer - Retaining -----	1	68	SC-36-25	Fin. Bolt - 5/16"-18 x 3/4" Hex. Hd. --	1
15	M-7314	Pinion - Upper Front Trans. Shaft (16T) -----	1	69	WL-3-43	Lock Washer - 5/16" x .117" x .056" --	1
16	R-12430-166	Key -----	1	70	V-7321	Washer - Thrust -----	1
17	BB-10-1	Ball Bearing - N.D. #E-206 -----	1	71	BB-6-1	Ball Bearing - N.D. #3304 -----	1
18	P-7308	Gear - Upper Front Trans. Shaft (27T) 1		72	V-7279	Retainer - Bearing -----	2
19	R-12430-155	Key -----	1	73	P-11800-118	Pin -----	2
20	P-13849	Shaft - Upper Front Trans. -----	1	74	P-7316	Gear - Double Sliding (21T and 27T) --	1
21	M-7281	Retainer - Bearing -----	1	75	M-60423	Lower Rear Trans. Shaft Sub-Assy. (Incls. items #77 & 79) -----	1
22	BB-10-1	Ball Bearing - N.D. #E-206 -----	1	76	M-7317	Pinion - Single Sliding (16T) -----	1
23	M-7281	Retainer - Bearing -----	1	77	P-11800-6	Pin -----	3
24	V-7301	Washer - Retaining -----	1	78	P-11800-143	Dowel -----	1
* 25	M-7310	Cap - Cradle (Upper Front) -----	1	79	M-7415	Key -----	1
26	SC-37-18	Fin. Bolt - 1/2"-13 x 7-3/4" Hex. Hd. 2		80	BB-6-1	Ball Bearing - N.D. #3304 -----	1
27	SC-37-13	Fin. Bolt - 1/2"-13 x 5-1/2" Hex. Hd. 2		81	V-7321	Washer - Thrust -----	1
28	WL-4-12	Lock Washer - 1/2" x .170" x .099" --	4	82	WL-3-43	Lock Washer - 5/16" x .117" x .056" --	1
29	WL-4-2	Lock Washer - 3/8" x .136" x .070" --	1	83	SC-36-25	Fin. Bolt - 5/16"-18 x 3/4" Hex. Hd. 1	
30	V-7577	Screw - Special Hex Hd. -----	1	84	BB-10-4	Ball Bearing - N.D. #E 207 -----	1
31	BB-5-21	Ball Bearing - N.D. #3302 -----	1	85	V-7319	Collar - Thrust -----	1
32	P-7353	Fork - Clutch -----	1	* 86	S-7460	Cradle - Lower -----	1
33	M-24143-4	Wire -----	1	87	V-7757	Dowel -----	1
34	V-7002	Set Screw - Hdls. Dog Point -----	1	88	P-7313	Gear - Lower Front Trans. Shaft (27T) 1	
35	M-7347	Stop - Clutch Handle -----	1	89	V-7319	Collar - Thrust -----	1
36	V-5233	Pin - Wedge -----	1	90	R-12430-168	Key -----	1
37	SC-37-5	Fin. Bolt - 1/2"-13 x 2-1/2" Hex. Hd. 4		91	P-13848-2	Shaft - Lower Front Trans. -----	1
38	WL-4-12	Lock Washer - 1/2" x .170" x .099" --	4	92	BB-9-11	Ball Bearing - N.D. #5306 -----	1
* 39	R-7312	Cap - Cradle (Upper Center) -----	1	93	M-7280	Retainer - Bearing -----	2
40	P-11800-118	Pin -----	8	WS-5-13	Washer - Upper & Lower Front Trans. Shaft (Not Shown) -----	As Req'd.	
41	PC-3-58	Cotter Pin - 1/8" x 1-1/4" Lg. -----	1	WS-5-10	Washer - Upper & Lower Front Trans. Shaft (Not Shown) -----	As Req'd.	
42	WS-12-24	Washer -----	1	WS-5-11	Washer - Upper & Lower Front Trans. Shaft (Not Shown) -----	As Req'd.	
43	P-7354	Shaft - Clutch Handle -----	1	WS-5-11	Washer - Upper & Lower Front Trans. Shaft (Not Shown) -----	As Req'd.	
44	M-23964	Felt - Clutch Shaft Seal -----	1	S-7450	Cradle Assy. (Incls. items #7, 8, 9, 10, 11, 25, 26, 27, 28, 37, 38, 39, 40, 45, 46, 51, 52, 53, 73, 78, 86 & 87) All items marked -----	1	
45	SC-37-13	Fin. Bolt - 1/2"-13 x 5-1/2" Hex. Hd. 2		T-21591-2	Transmission Assy. (Incls. all above named items (except items #44, 47, 50, 77 & 79) but uses M-800 instead of M-80 parts) -----	1	
46	WL-4-12	Lock Washer - 1/2" x .170" x .099" --	2				
47	P-7371	Handle - Clutch -----	1				
48	V-5234	Hex Nut -----	2				
49	WS-3-20	Washer -----	2				
50	V-5233	Pin - Wedge -----	1				
51	SC-37-18	Fin. Bolt - 1/2"-13 x 7-3/4" Hex. Hd. 2					
52	WL-4-12	Lock Washer - 1/2" x .170" x .099" --	2				
* 53	M-7309	Cap - Cradle (Upper Rear) -----	1				
54	R-12430-189	Key -----	1				

\* Cannot be supplied separately

PL-973



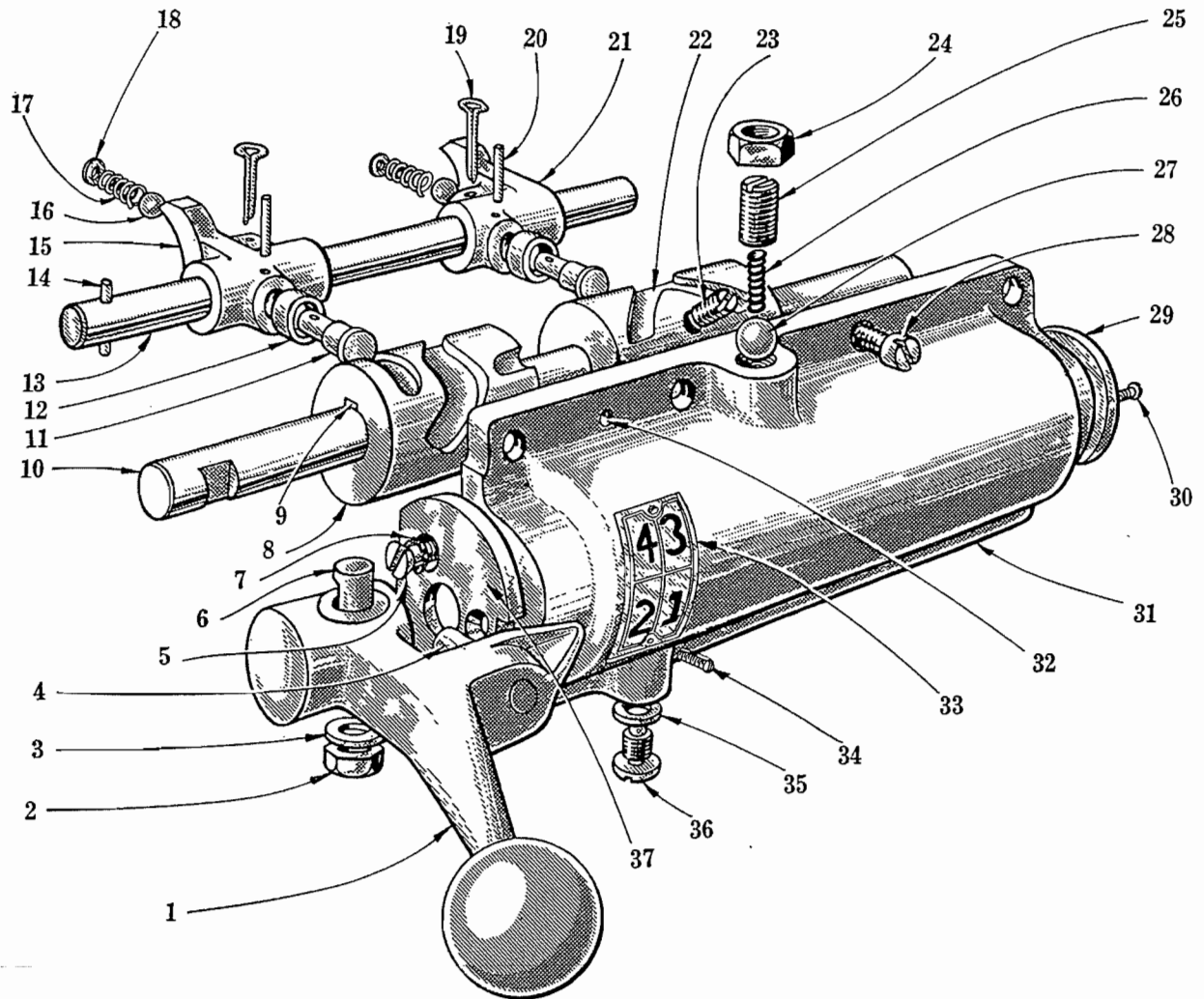
CLUTCH UNIT

**HOBART REPLACEMENT PARTS**

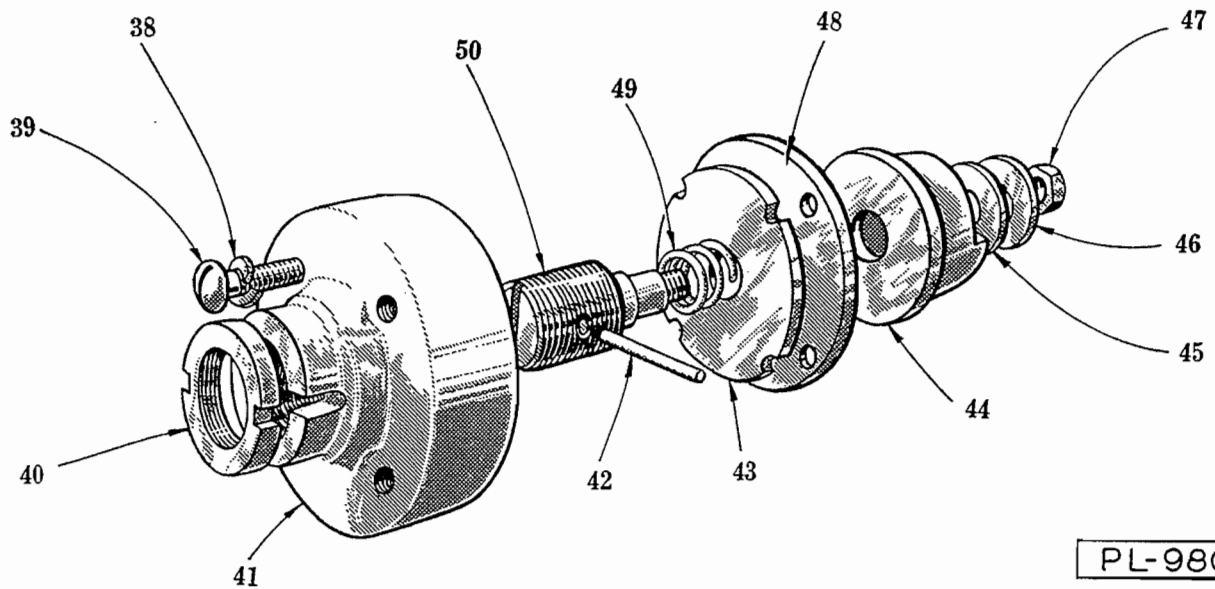
**CLUTCH UNIT**

ILLUS. PART PL-973 NO.	NAME OF PART	AMT.
1	M-20769 Arm - Clutch -----	3
2	P-20994 Screw - Clutch Spring -----	3
3	BA-2-28 Ball - 5/8" Dia. -----	3
4	M-20771 Washer - Spring -----	3
5	M-20993 Spring - Clutch Compression -----	3
6	M-20913 Plug - Spring -----	3
7	M-24698 Clutch Spring Screw Sub-Assy. (Incls items #2, 3, 4, 5 & 6) -----	3
8	M-20770 Nut - Clutch Spring -----	3
9	V-7339 Pin - Clutch Arm -----	3
10	V-10301 Pin - Clutch -----	3
11	PC-3-34 Cotter Pin - 3/32" x 3/4" Lg. -----	6
12	V-7431 Spring - Clutch Release -----	3
13	V-7338 Pin - Clutch Release -----	3
14	P-10293 Disc - Inner Clutch -----	1
15	R-12430-147 Key -----	1
16	P-11800-117 Pin -----	8
17	P-10293 Disc - Inner Clutch -----	1
18	SC-36-54 Fin. Bolt - 3/8"-16 x 1" Hex. Hd. -----	1
19	WL-4-2 Lock Washer - 3/8" x .136" x .070" -----	1
20	V-14777 Washer - Retaining -----	1
21	R-12430-67 Key -----	1
22	----- Pinion - Motor (Give Bore and Elec. Spec.) -----	1
23	----- Gear - Main Drive (Give Elec. Spec.) -----	1
24	WL-3-36 Lock Washer - 1/4" x .107" x .047" -----	6
25	SC-11-77 Machine Screw - 1/4"-20 x 3/4" Fil. Hd. -----	6
26	M-7342 Ring - Retaining -----	1
27	BB-6-38 Ball Bearing - N.D. #3207 -----	1
28	P-22711 Disc - Clutch -----	2
29	P-10292 Disc - Outer Clutch -----	1
30	V-10311 Disc - Driving -----	6
31	P-10299 Spider - Clutch -----	1
32	P-22711 Disc - Clutch -----	2
33	P-10298 Ring - Clutch -----	1
34	R-10295 Plate - Clutch -----	1
35	SC-46-53 Set Screw - 5/16"-18 x 3/8" Flat Pt. -----	3
36	SC-38-16 Cap Screw - 5/16"-18 x 1-1/4" Fil. Hd. -----	6
37	BB-6-38 Ball Bearing - N.D. #3207 -----	1
38	V-7348 Nut - Clutch Shaft -----	2
39	WS-7-11 Washer -----	3
40	PC-3-34 Cotter Pin - 3/32" x 3/4" Lg. -----	3
41	WS-11-19 Washer -----	1
42	V-8869 Lock Washer -----	1
43	M-10510 Cone - Clutch -----	1
44	WS-8-20 Washer -----	1
45	WL-4-12 Lock Washer - 1/2" x .170" x .099" -----	1
46	NS-17-27 Jam Nut - 1/2"-13 Hex. Fin. -----	1
47	R-12430-61 Key -----	1
	WS-6-1 Washer - Motor Pinion Shim (Not Shown) -----	As Req'd.
	WS-6-2 Washer - Motor Pinion Shim (Not Shown) -----	As Req'd.
	WS-6-36 Washer - Motor Pinion Shim (Not Shown) -----	As Req'd.
	S-21592 Main Drive Gear & Clutch Assy. (Incls. items #1, 7 to 17 Incl., 23 to 37 Incl. & 40) -----	1

SHIFTING UNIT



BRAKE UNIT



PL-980

## HOBART REPLACEMENT PARTS

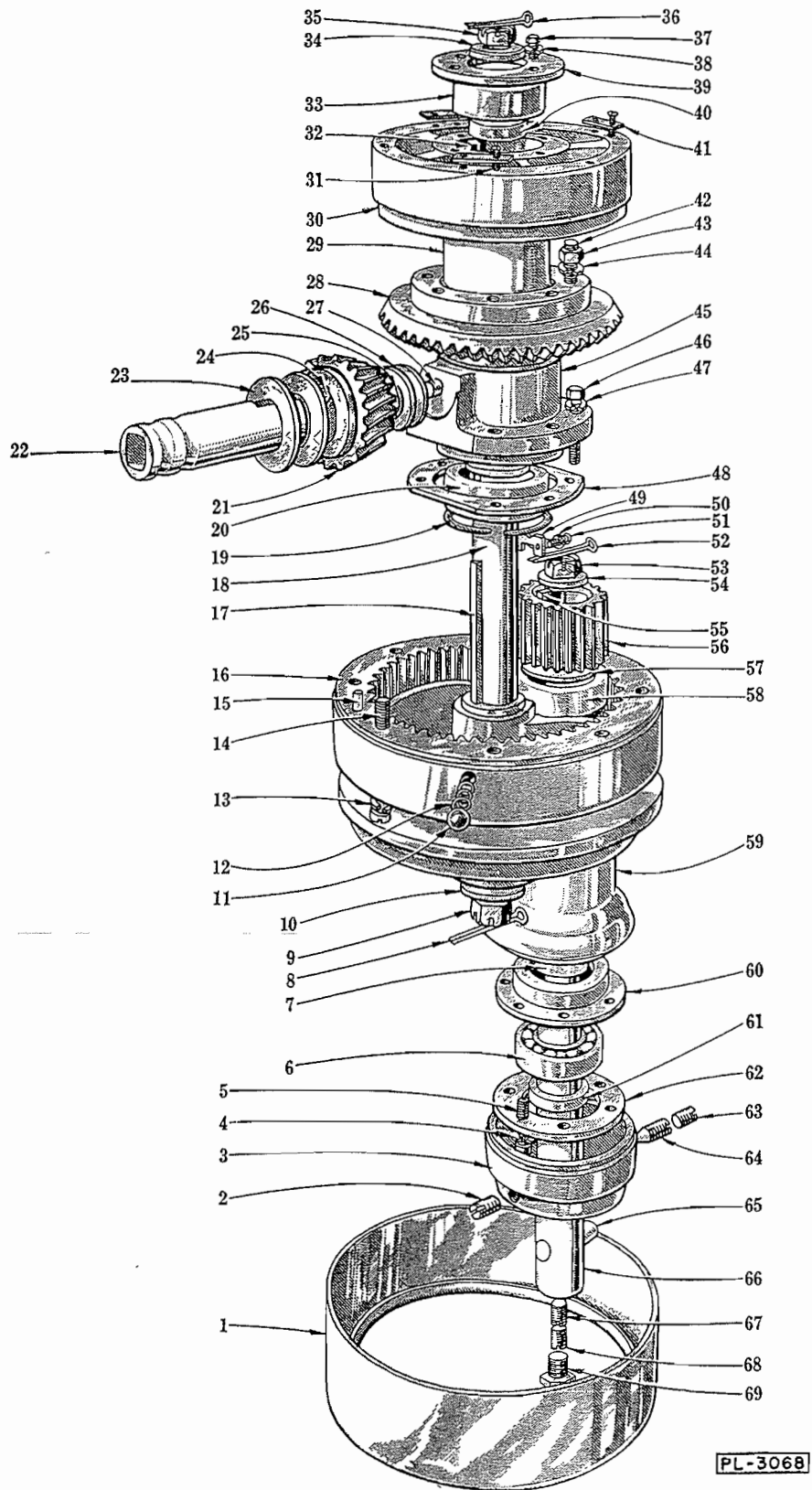
### SHIFTING UNIT

ILLUS. PL-980	PART NO.	NAME OF PART	AMT.
1	M-60424	Gear Shift Handle Sub-Assy. (Incls. item #4) -----	1
2	V-5234	Hex Nut -----	1
3	WS-3-20	Washer -----	1
4	V-7384	Pin - Handle -----	1
5	SC-14-16	Mach. Screw - 5/16"-18 x 7/8" Flat Hd. -----	3
6	V-5233	Pin - Wedge -----	1
7	WL-9-14	Lock Washer - 5/16" Shakeproof Ctsk. -----	3
8	P-8826	Cam - Speed Shifting (Single) -----	1
9	KW-3-12	Key - #607 Woodruff -----	2
10	P-7380	Shaft - Gear Shift Handle -----	1
11	V-7377	Pin - Roller -----	2
12	V-7378	Roller - Shifter -----	2
13	P-8824	Rod - Shifting Fork -----	1
14	PT-3-62	Taper Pin - #4 x 1-1/2" Lg. -----	1
15	P-8823	Fork - Shifting (Front) -----	1
16	BA-2-23	Ball - 1/2" Dia. -----	2
17	V-7433	Spring - Detent -----	2
18	WS-2-8	Washer -----	2
19	PC-3-58	Cotter Pin - 1/8" x 1-1/4" Lg. -----	2
20	P-11800-43	Pin -----	2
21	P-7376	Fork - Shifting (Rear) -----	1
22	P-8825	Cam - Speed Shifting -----	1
23	V-7385	Screw - Retaining -----	1
24	NS-17-37	Jam Nut - 5/8"-11 Hex. Fin. -----	1
25	M-21333	Screw - Compression -----	1
26	M-21300	Spring - Detent -----	1
27	BA-2-23	Ball - 1/2" Dia. -----	1
28	SC-38-14	Cap Screw - 5/16"-18 x 3/4" Fil. Hd. -----	8
29	V-7383	Cover - End -----	1
30	SC-7-41	Mach. Screw - #8-32 x 3/8" Rd. Hd. -----	3
31	R-7388	Housing - Gear Shifting -----	1
32	P-11800-88	Dowel -----	2
33	M-7750	Plate - Speed Indicator -----	1
34	SD-5-19	Drive Screw - #6 x 3/8" Rd. Hd. -----	2
35	GR-2-1	Gasket - Copper Asbestos -----	1
36	M-63184	Screw - Cam Retaining -----	1
37	M-7379	Cover - End -----	1

### BRAKE UNIT

38	WL-3-43	Lock Washer - 5/16" x .117" x .056" -----	4
39	SC-8-96	Mach. Screw - 5/16"-18 x 1-3/4" Rd. Hd. -----	4
40	V-10121	Lock Nut -----	1
41	M-10102	Cap - Stop Cone Support -----	1
42	P-11800-99	Pin -----	1
43	M-8810	Disc - Steel Friction -----	1
44	M-8773	Cone - Stop -----	1
45	WS-10-6	Washer - Fiber Friction -----	1
46	V-8813	Washer - Retaining -----	1
47	V-8812	Jam Nut -----	1
48	M-10106	Washer - Friction -----	1
49	V-10107	Spring - Stop Cone -----	1
50	M-10105	Stud - Stop Cone Adjusting -----	1
51	M-24700	Brake Unit Sub-Assy. (Incls. items #40 to 50 Incl.) -----	1

HOBART REPLACEMENT PARTS



PL-3068

PLANETARY UNIT

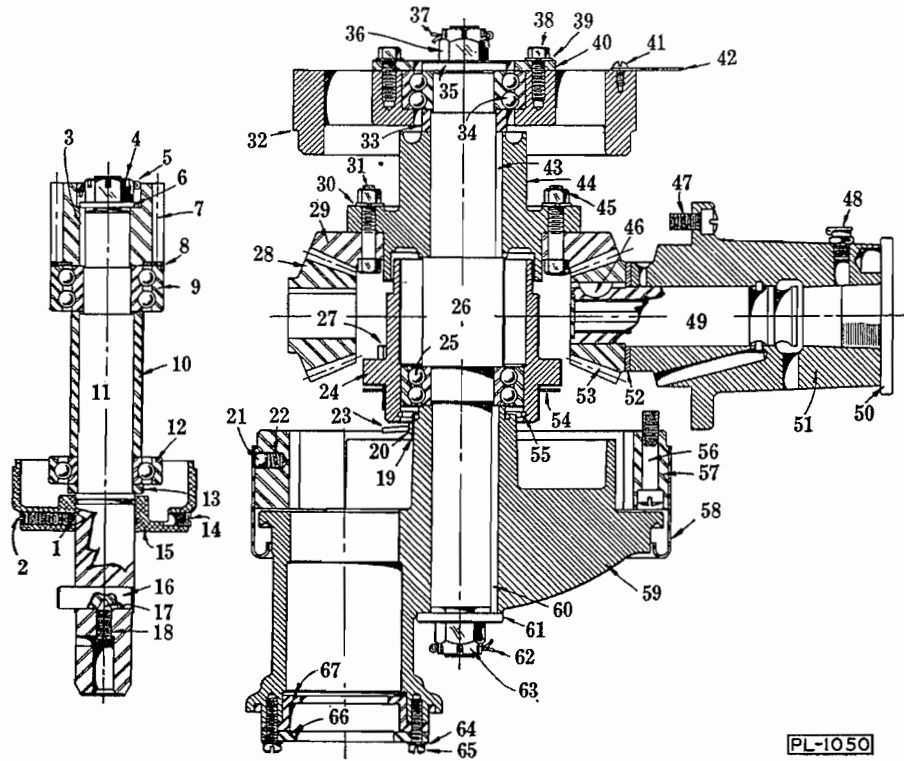


HOBART REPLACEMENT PARTS

PLANETARY UNIT

ILLUS. PL-3068	PART NO.	NAME OF PART	AMT.
1	P-7422	Cup - Drip (Upper) -----	1
2	V-15211	Plug - Oil -----	1
3	P-8776	Cup - Drip (Lower) -----	1
4	WL-3-35	Lock Washer - 1/4" x .047" x .078" -----	6
5	SC-38-5	Cap Screw - 1/4"-20 x 1" Fil. Hd. -----	6
6	BB-8-13	Ball Bearing - N.D. #1207 -----	1
7	M-9701	Collar - Beater Shaft Spacing -----	1
8	PC-3-37	Cotter Pin - 3/32" x 1-1/8" Lg. -----	1
9	NS-20-23	Castle Nut - 3/4"-16 -----	1
10	V-7419	Washer - Vertical Planetary Shaft -----	1
11	BA-2-18	Ball - 3/8" Dia. -----	2
12	V-7009	Spring -----	2
13	WL-4-1	Lock Washer - 3/8" x .078" x .125" -----	7
14	SC-40-26	Cap Screw - 3/8"-16 x 2-1/8" Soc. Hd. -----	7
15	P-11800-204	Dowel -----	1
16	M-24681	Internal Gear Sub-Assy. (59T) (Incls. items #11 & 12) -----	1
17	R-12430-241	Key -----	1
18	M-63640	Shaft - Vertical Planetary, Spacer & Key Sub-Assy. (Incls. Items #17 & 32) -----	1
19	V-7445	Ring - Bearing Carrier -----	1
20	BB-10-8	Ball Bearing - N.D. #E-208 -----	1
21	M-24691	Spiral Bevel Pinion & Sq. Drive Sleeve Sub Assy. (Incls. items #22, 24 & 25) -----	1
22	M-11729	Sleeve - Square Drive -----	1
23	M-11091	Washer - Thrust -----	As Req'd.
24	KW-3-15	Key - #807 Woodruff -----	1
25	PL-3-22	Plug - Expansion -----	1
26	V-18597	Washer - Thrust -----	As Req'd.
27	P-11800-198	Dowel -----	1
28	P-18546	Spiral Bevel Gear (47T) -----	1
29	P-7421-2	Hub - Ring Gear -----	1
30	P-7387	Support - Planetary -----	1
31	SC-7-41	Mach. Screw - #8-32 x 3/8" Rd. Hd. -----	3
32	V-7403	Key -----	1
33	BB-10-8	Ball Bearing - N.D. #E-208 -----	1
34	V-7419	Washer - Vertical Planetary Shaft -----	1
35	NS-20-23	Castle Nut - 3/4"-16 -----	1
36	PC-3-37	Cotter Pin - 3/32" x 1-1/8" Lg. -----	1
37	SC-36-25	Fin. Bolt - 5/16"-18 x 3/4" Hex. Hd. -----	4
38	WL-3-43	Lock Washer - 5/16" x .117" x .056" -----	4
39	M-7416	Plate - Bearing Retaining -----	1
40	V-7418	Spacer - Upper Planetary Bearing -----	1
41	M-7575	Shim - Planetary Support -----	As Req'd.
42	SC-36-78	Fin. Bolt - 3/8"-24 x 2" Hex. Hd. -----	8
43	NS-13-26	Full Nut - 3/8"-24 Hex. Fin. -----	8
44	WL-4-2	Lock Washer - 3/8" x .136" x .070" -----	8
45	R-18584	Carrier - Planetary Head Bearing -----	1
46	SC-36-57	Fin. Bolt - 3/8"-16 x 1-1/4" Hex. Hd. -----	6
47	WL-4-2	Lock Washer - 3/8" x .136" x .070" -----	6
48	M-8158	Gasket -----	1
49	M-9032	Spout - Oil -----	1
50	WL-3-7	Lock Washer - #6 x .040" x .025" -----	2
51	SC-7-20	Mach. Screw - #6-32 x 1/4" Rd. Hd. -----	2
52	PC-3-37	Cotter Pin - 3/32" x 1-1/8" Lg. -----	1
53	M-10104	Nut - Special -----	1
54	WS-11-24	Washer - Internal Pinion -----	1
55	R-12430-151	Key -----	1
56	M-21888	Pinion - Internal (18T) -----	1
57	WS-15-20	Washer - Grease Deflecting -----	1
58	BB-9-11	Ball Bearing - N.D. #5306 -----	1
59	S-8780	Planetary -----	1
60	M-7389	Plate - Lower Planetary Bearing -----	1
61	V-7392	Spacer - Lower Planetary Bearing -----	1
62	M-7390	Plate - Bearing Retaining -----	1
63	SC-46-67	Set Screw - 3/8"-16 x 7/8" Cup Pt. -----	1
64	V-7744	Set Screw - Cone Pt. -----	1
65	V-7425	Pin - Beater Shaft -----	1
66	M-24672	Beater Shaft Unit Sub-Assy. (Incls. items #65, 67, 68 & 69) -----	1
67	V-7744	Set Screw - Cone Pt. -----	1
68	SC-46-64	Set Screw - 3/8"-16 x 3/8" Cup Pt. -----	1
69	M-64723	Plug Screw - Beater Shaft -----	1

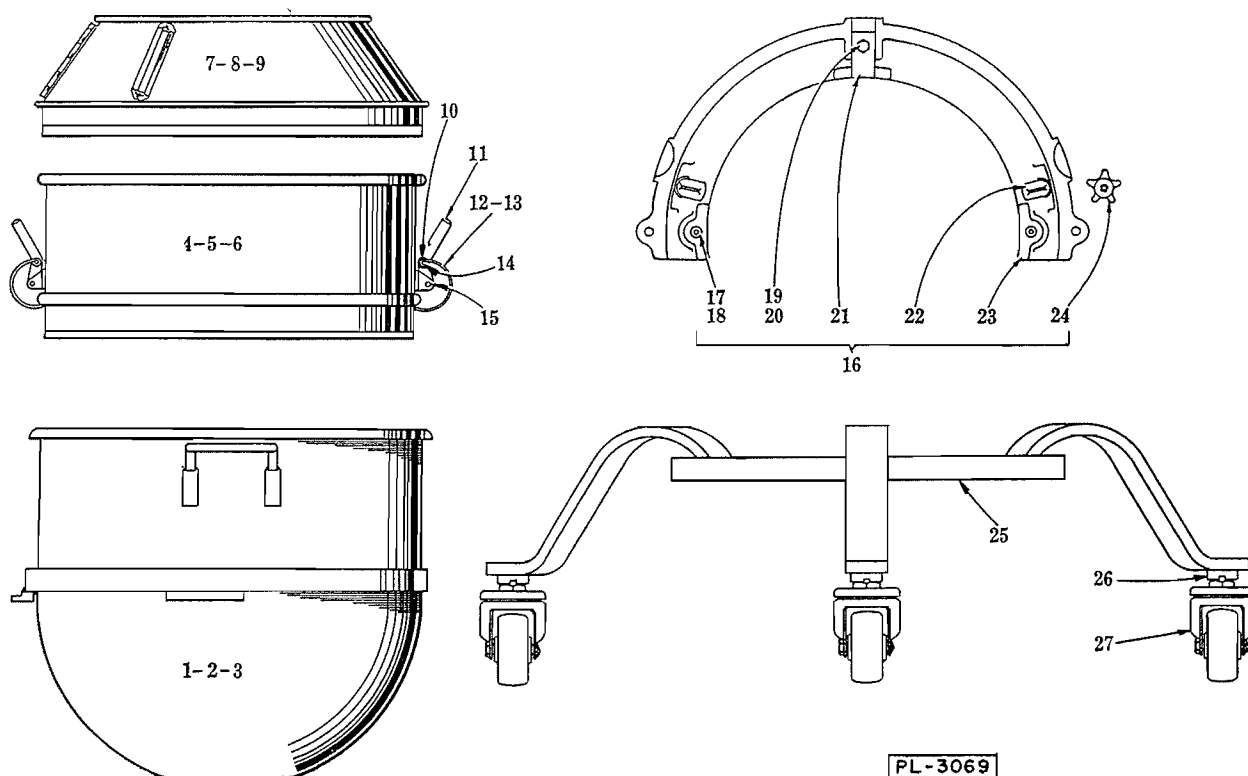
# HOBART REPLACEMENT PARTS



## BEVEL AND PLANETARY GEARING, OLD STYLE (Straight Tooth, Prior To Spec. 3842)

ILLUS. PART PL-1050 NO.	NAME OF PART	AMT.	ILLUS. PART PL-1050 NO.	NAME OF PART	AMT.		
1	V-7744	Screw - Cone Point	1	36	NS-20-23	Castle Nut - 3/4"-16	2
2	SC-46-67	Set Screw - 3/8"-16 x 7/8" Cup Pt.	1	37	PC-3-37	Cotter Pin - 3/32" x 1-1/8"	2
3	R-12430-151	Key	1	38	SC-36-25	Fin. Bolt - 5/16"-18 x 3/4" Hex. Hd.	4
4	M-10104	Special Nut	1	39	WL-3-44	Lock Washer - 5/16" x .125" x .078"	4
5	PC-3-37	Cotter pin - 3/32" x 1-1/8"	1	40	M-7416	Plate - Bearing Retaining	1
6	WS-11-24	Washer	1	41	SC-7-41	Mach. Screw - #8-32 x 3/8" Rd. Hd.	3
7	M-21888	Pinion - Internal (18T)	1	42	M-7575	Shim	As Reqd.
8	WS-15-20	Washer	1	43	V-7403	Key	1
9	BB-9-11	Ball Bearing - N.D. #5306	1	44	P-7421-1	Hub - Ring Gear	1
10	M-9701	Collar - Spacing	1	45	NS-13-26	Full Nut - 3/8"-24 Hex. Fin.	8
11	R-13847	Shaft - Beater	1	46	KW-3-15	Key - #807 Woodruff	1
12	BB-6-38	Ball Bearing - N.D. #3207	1	47	SC-38-23	Cap Screw - 3/8"-16 x 3/4" Fil. Hd.	6
13	V-7392	Spacer - Bearing	1	48	OG-3-21	Oiler	1
14	V-15211	Plug - Oil	1	49	M-11729	Sleeve - Square	1
15	P-8776-2	Cup - Drip (Lower)	1	50	M-3144	Plug - Attachment Hub	1
16	V-7425	Pin - Beater Shaft	1	51	R-10116	Hub - Attachment	1
17	V-7744	Screw - Cone Point	1	52	M-11091	Washer - Thrust	As Reqd.
18	SC-46-64	Set Screw - 3/8"-16 x 3/8" Cup Pt.	1	53	M-24690	Straight Tooth Bevel Pinion & Sq. Dr. Sleeve Sub-Assy. (Incls. items #46 & 49)	1
19	WL-3-8	Lock Washer - #6 x .047" x .031"	2	54	M-8158	Gasket	1
20	SC-7-20	Mach. Screw - #6-32 x 1/4" Rd. Hd.	2	55	V-7445	Ring - Bearing Carrier	1
21	BA-2-18	Ball - 3/8"	2	56	SC-38-29	Cap Screw - 3/8"-16 x 2" Fil. Hd.	7
22	V-7009	Spring	2	57	R-7396	Gear - Internal (59T)	1
23	M-9032	Spout - Oil	1	58	P-7422	Cup - Drip (Upper)	1
24	P-7420	Carrier - Bearing	1	59	S-8780	Planetary	1
25	BB-10-8	Ball Bearing - N.D. #E-208	1	60	R-12430-241	Key	1
26	P-13846	Shaft - Planetary	1	61	V-7419	Washer - Planetary Shaft	2
27	SC-36-57	Fin. Bolt - 3/8"-16 x 1-1/4" Hex. Hd.	6	62	PC-3-37	Cotter Pin - 3/32" x 1-1/8"	2
28	P-7334	Pinion - Bevel (19T)	1	63	NS-20-23	Castle Nut - 3/4"-16	2
29	P-7332	Gear - Ring (47T)	1	64	WL-3-35	Lock Washer - 1/4" x .047" x .078"	6
30	WL-4-2	Lock Washer - 3/8" x .136" x .070"	8	65	SC-38-5	Cap Screw - 1/4"-20 x 1" Fil. Hd.	6
31	SC-36-78	Fin. Bolt - 3/8"-24 x 2" Hex. Hd.	8	66	M-7390	Plate - Bearing Retaining	1
32	P-7387	Support - Planetary	1	67	M-7389	Plate - Lower Planetary Bearing	1
33	V-7418	Spacer - Bearing	1				
34	BB-10-8	Ball Bearing - N.D. #E-208	1				
35	V-7419	Washer - Planetary Shaft	2				

## HOBART REPLACEMENT PARTS

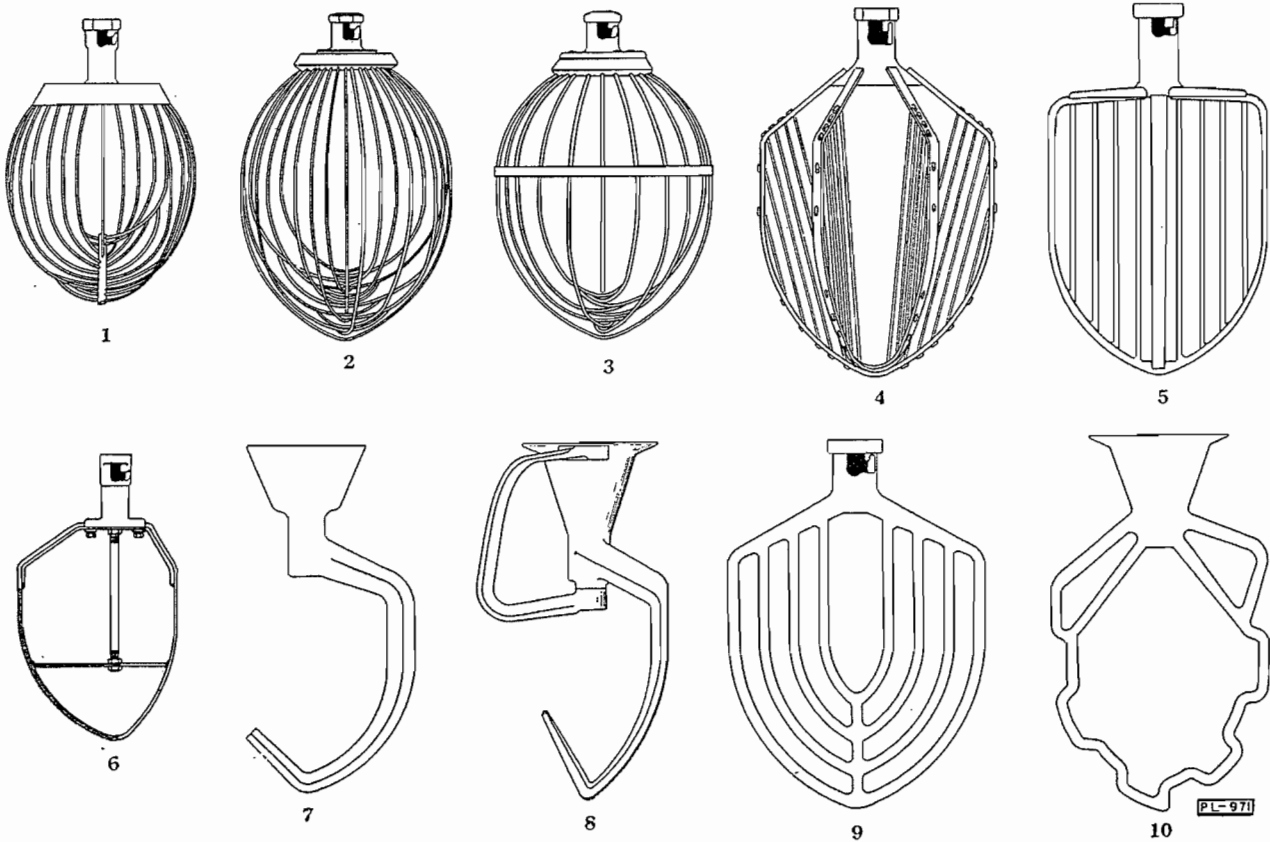


### BOWLS AND EQUIPMENT

ILLUS. PL-3069	PART NO.	NAME OF PART	AMT.
1	S-66465	Bowl - 80 Qt. -----	1
2	S-66457	Bowl - 40 Qt. -----	1
3	S-66450	Bowl - 30 Qt. -----	1
4	P-8569	Extension Assy. - 80 Qt. (Rolled Rim) Bowl -----	1
5	P-8569-2	Extension Assy. - (80 Qt. Flange Top Bowl) -----	1
6	P-7985	Extension Assy. - (40 Qt. Bowl) -----	1
7	R-7580	Anti-Splash Ring (80 Qt.) -----	1
8	R-8038	Anti-Splash Ring (40 Qt.) -----	1
9	R-18293	Anti-Splash Ring (30 Qt.) -----	1
10	WS-2-12	Washer -----	4
11	M-11881	Handle - Clamp (80 Qt.) -----	2
12	M-8570	Spring - Clamp (80 Qt. Rolled Rim Bowl) -----	2
13	P-62234	Spring - Clamp (80 Qt. Flange Top Bowl) -----	2
14	RP-2-7	Rollpin - 3/16" Dia. x 1-1/8" Lg. (80 Qt.) -----	2
15	RP-2-35	Rollpin - 3/16" Dia. x 5/8" Lg. (80 Qt.) -----	2
16	M-24653	Adapter Sub-Assy. Unit (Incls. items #17 to 24 Incl.) (30 & 40 Qt) -----	1
17	WL-4-18	Lock Washer - 5/8" x .201" x .126" -----	2
18	V-7629	Stud - Bowl Locating -----	2
19	WL-4-12	Lock Washer - 1/2" x .170" x .099" -----	1
20	SC-36-97	Fin. Bolt - 1/2"-13 x 1" Hex. Hd. -----	1
21	V-7624	Retainer - Bowl -----	1
22	M-8100	Stud - Clamp -----	2
23	R-7841	Adapter (80 to 40 or 80 to 30) -----	1
24	M-22156	Knob - Clamp Stud -----	2
25	S-61960	Bowl Truck Assy. (Incls. items #26 & 27) -----	1
26	V-7344	Nut - Bowl Truck -----	3
27	P-65919	Caster - Bowl Truck -----	3

HOBART REPLACEMENT PARTS

BEATERS



AGITATORS

ILLUS. PL-971	PART NO.	PART NO.	PART NO.	NAME OF PART	AMT.
PL-971	80 QT.	40 QT.	30 QT.		
1	R-16418	-----	-----	KB Spiral Whip -----	1
2	S-23522	S-23591	R-10327	D Wire Whip -----	1
3	S-60429	S-60132	R-10320	I Wire Whip -----	1
4	S-22467	S-22474	R-22473	C Wing Whip -----	1
5	R-15320	-----	-----	J Wing Beater -----	1
6	S-68097	S-68095	R-68822	P Pastry Knife -----	1
7	P-8154	S-23494	P-10328	E Dough Arm -----	1
8	S-21657	-----	-----	EC Dough Arm -----	1
9	S-23490	T-23620	S-60052	B Flat Beater -----	1
10	S-9875	R-8400	R-10326	S Sweet Dough Arm -----	1
	R-8077	-----	-----	G Wing Whip (Not shown) -----	1